



SPEED CHAMPIONS



76895



[LEGO.com/speedchampions](https://www.lego.com/speedchampions)





- 1 Scan the code on the front cover
Scanne den Code auf der Titelseite
Scanne le code sur la page couverture
Scanner le code sur la page couverture
Scansiona il codice sulla copertina
Escanea el código de la portada
Faz scan do código na frente da capa
Olvasd be a borítón látható kódot!
Noskenë kodu uz priekšējā vāka
扫描封面上的二维码

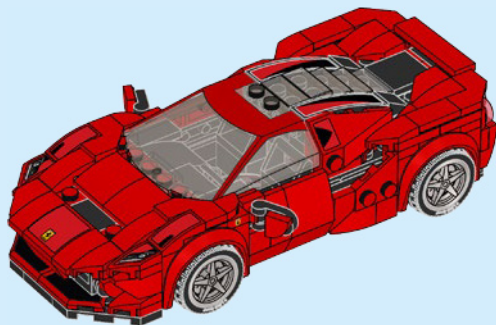
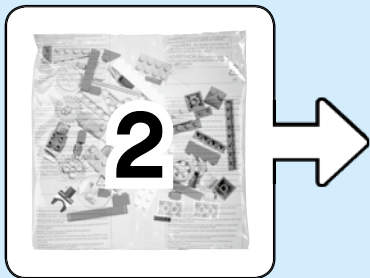
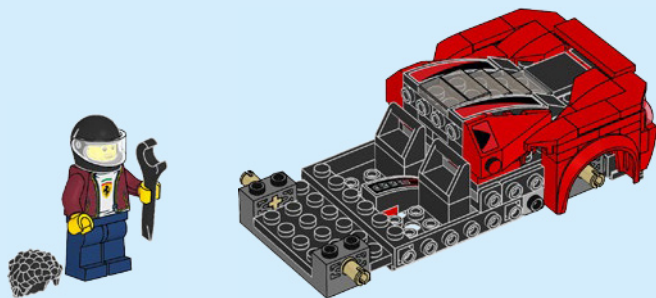
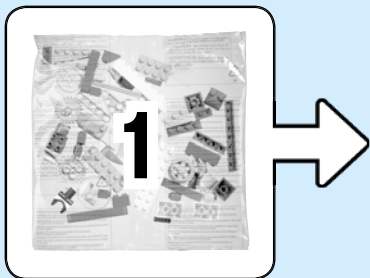


- 2 Get the Building Instructions
Hol dir die Bauanleitung
Obtiens les instructions de montage
Obtenir les instructions de montage
Scarica le istruzioni per la costruzione
Consulta las instrucciones de construcción
Obtém as Instruções de Construção
Szerezd be az építési útmutatókat!
Saņem būvēšanas instrukcijas
获取拼搭说明

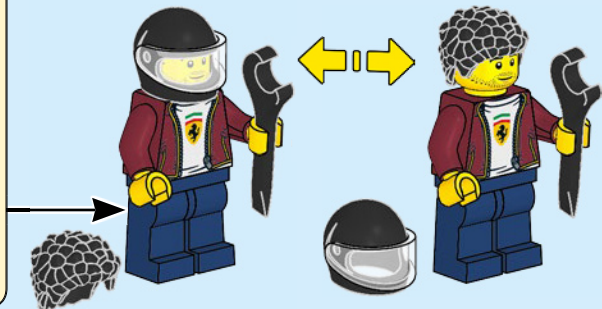
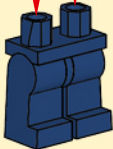
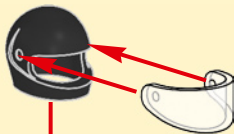
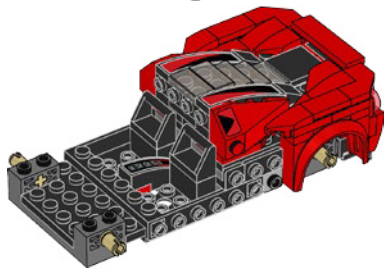
LEGO.com/apps

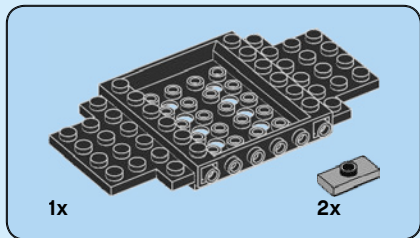
Check for compatibility
Kompatibilität prüfen
Vérifier la compatibilité
Controlla la compatibilità
Comprueba tu compatibilidad

Verificar a compatibilidade
Ellenőrizd a kompatibilitást
Pārbaudīt saderību
检查兼容性

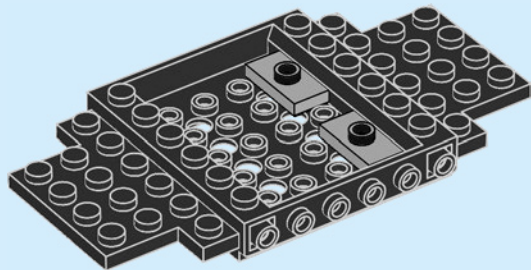


1x

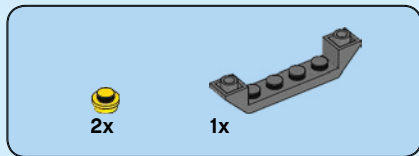




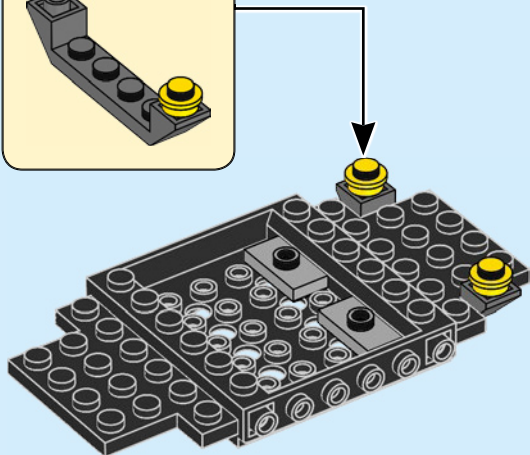
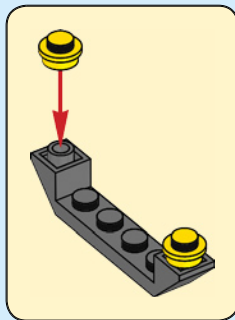
1

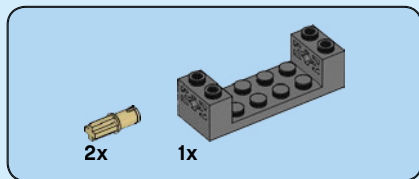


6

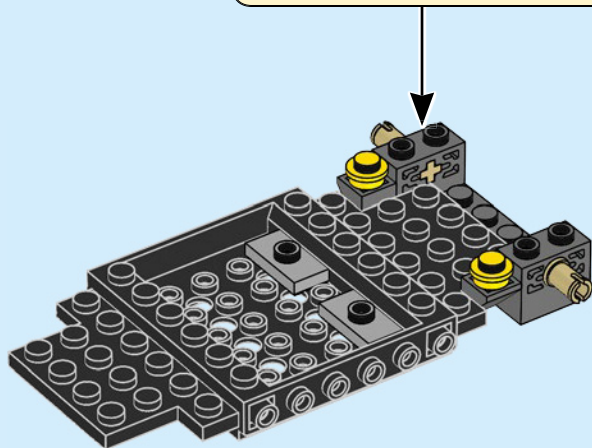
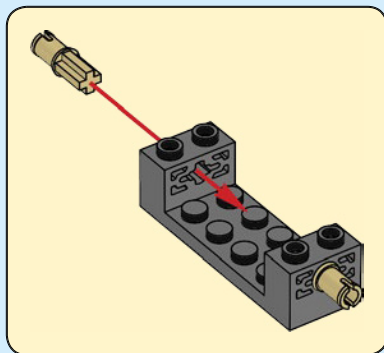


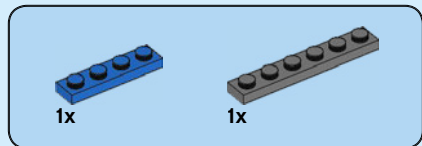
2



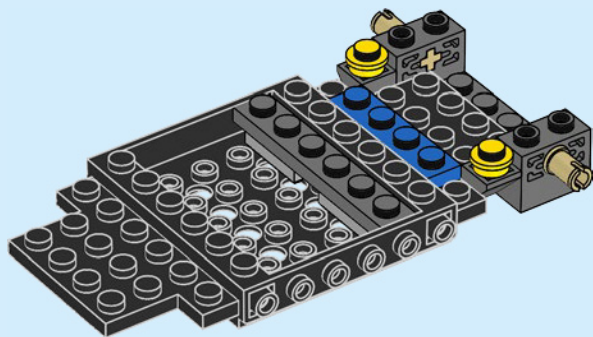


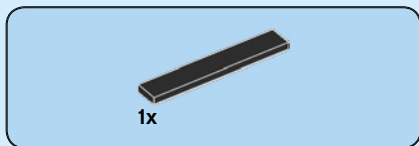
3



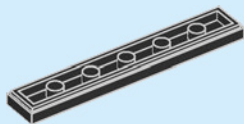


4

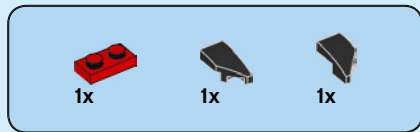
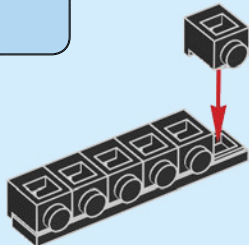




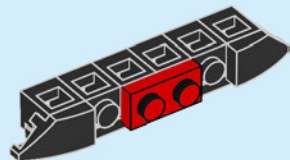
5



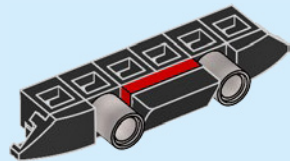
6

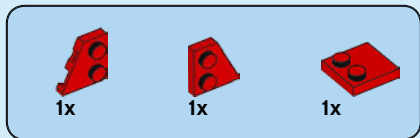


7

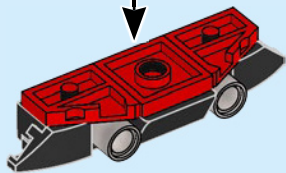
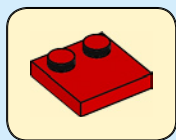


8

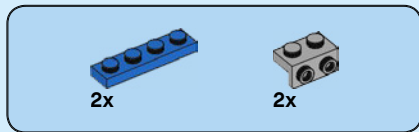




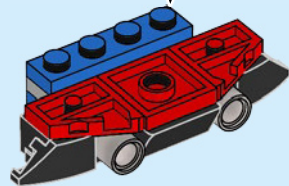
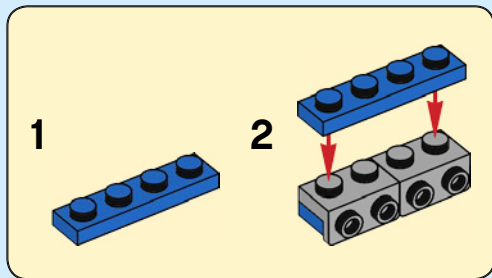
9



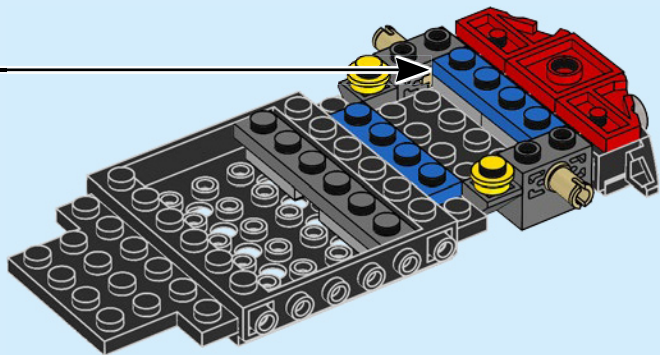
10



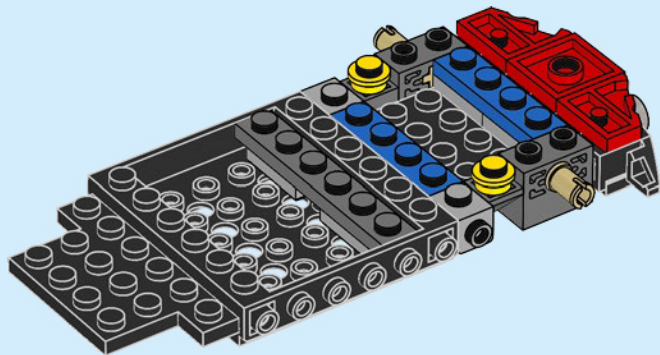
10



11



12



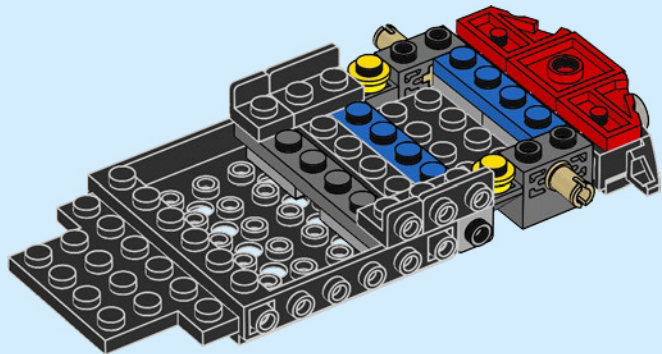


2x



2x

13

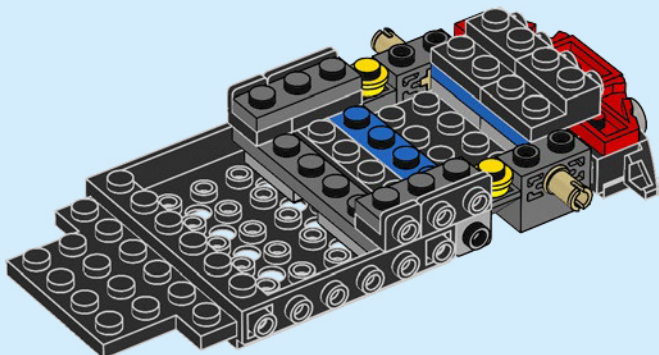


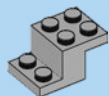
2x



2x

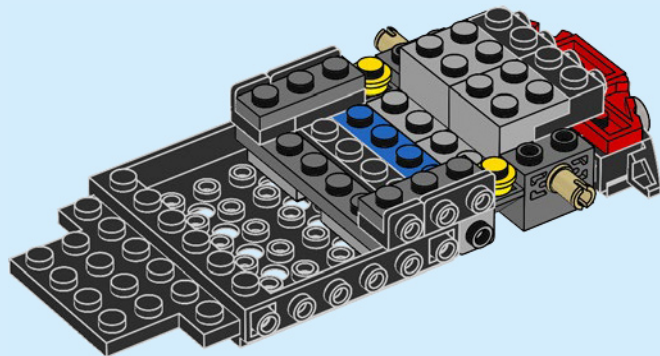
14





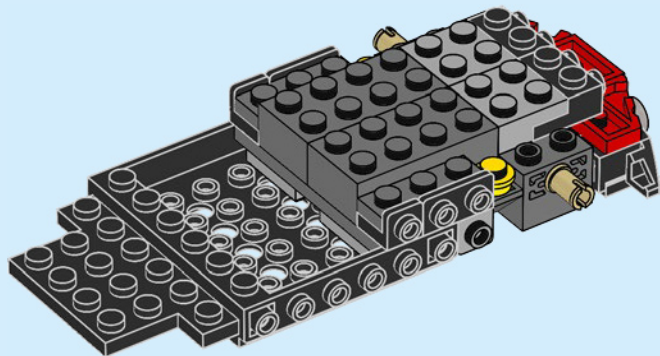
2x

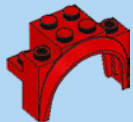
15



2x

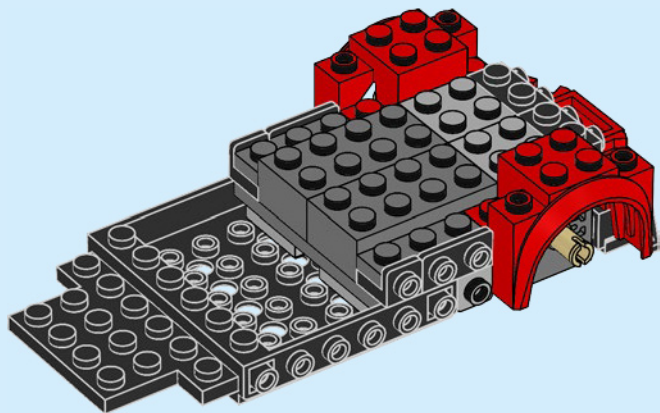
16





2x

17

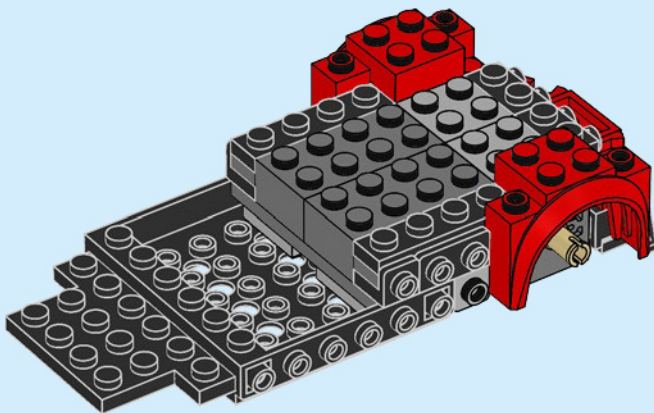


14



2x

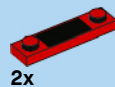
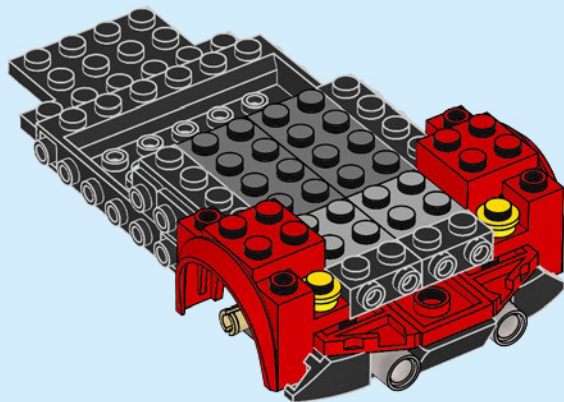
18





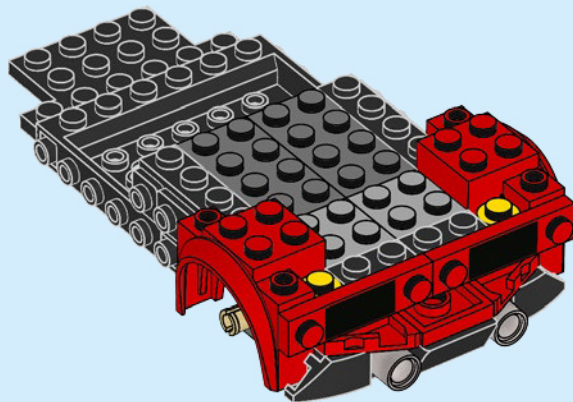
2x

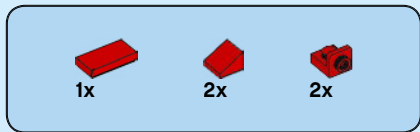
19



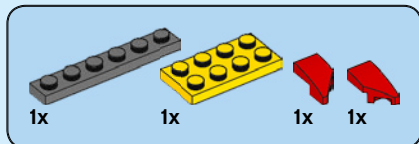
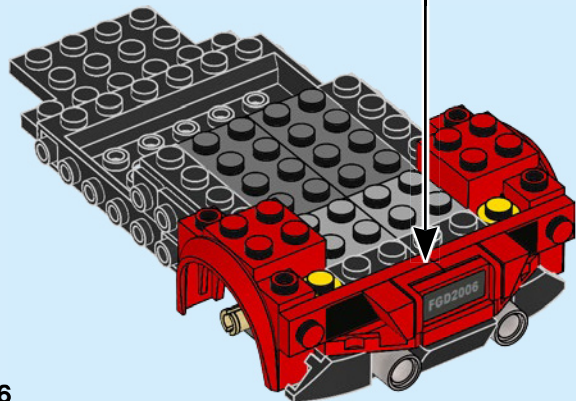
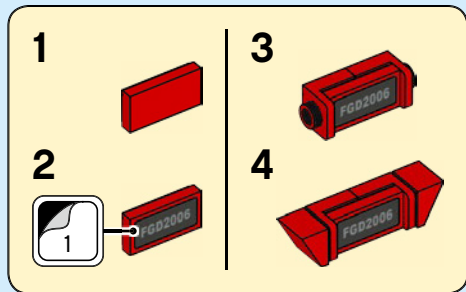
2x

20

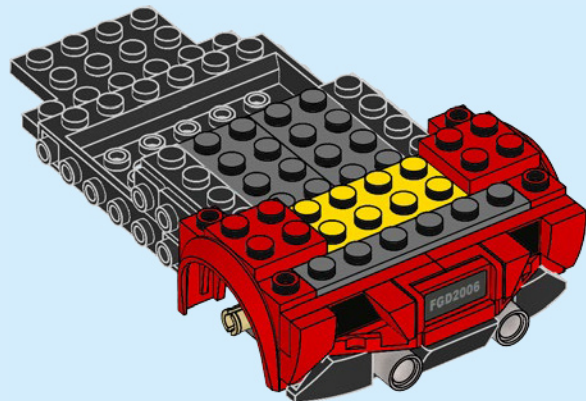


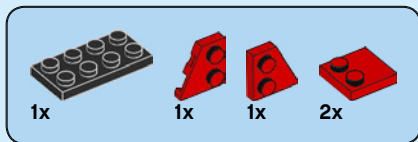


21

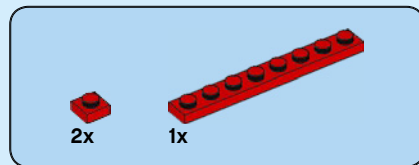
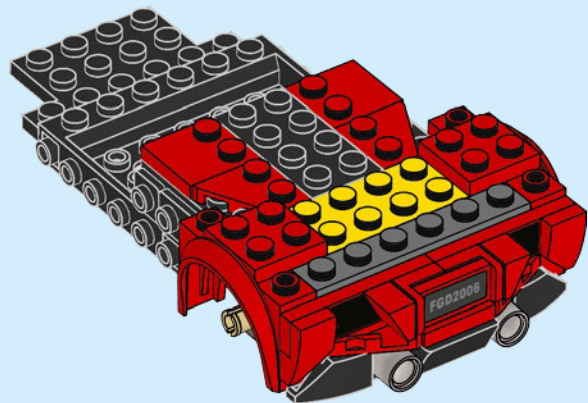


22

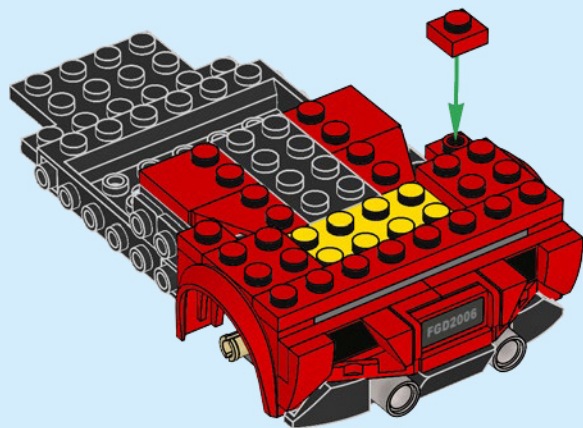


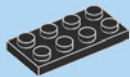


23



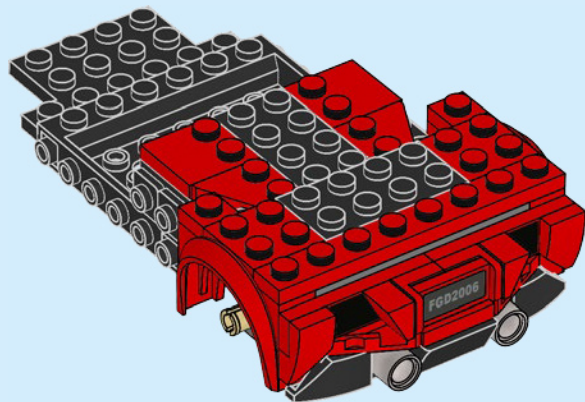
24





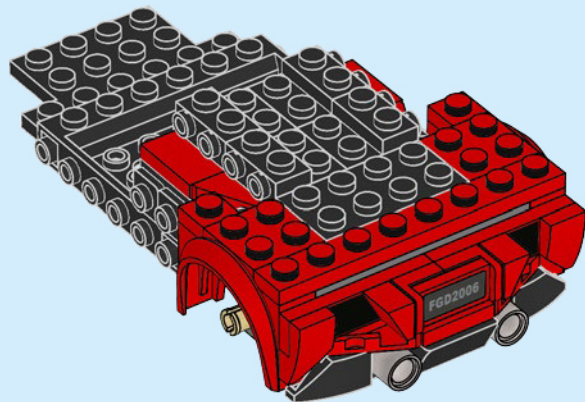
1x

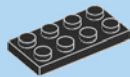
25



4x

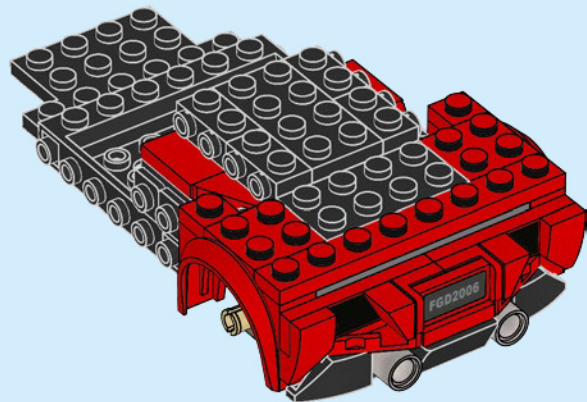
26





1x

27



1x

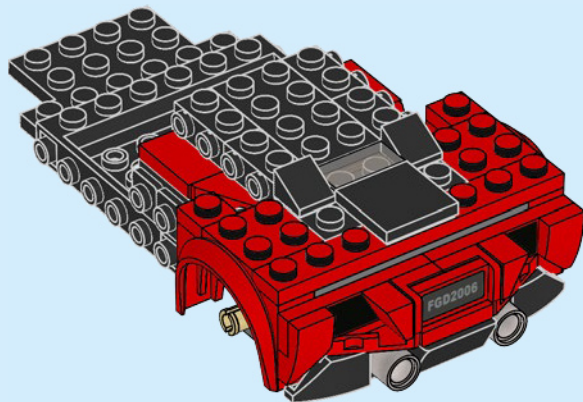


2x



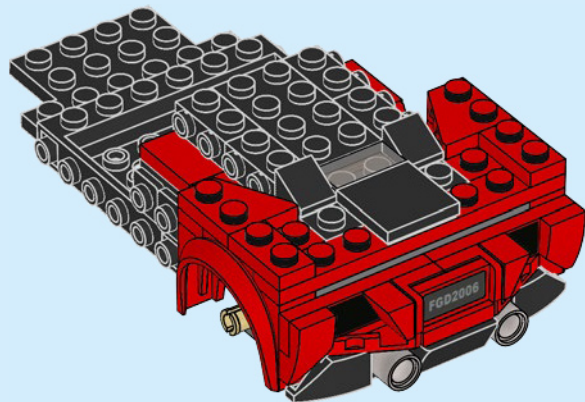
1x

28

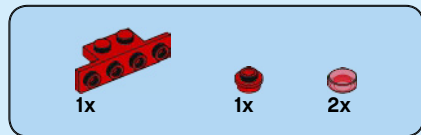




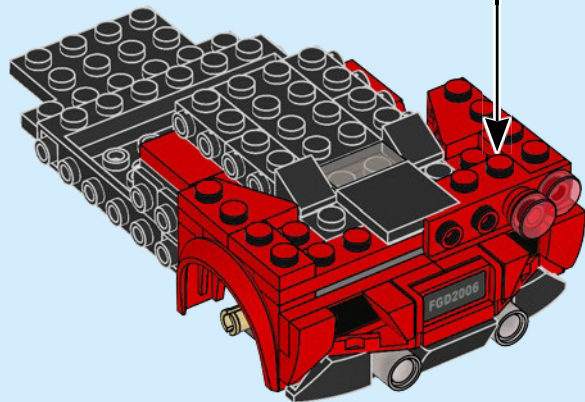
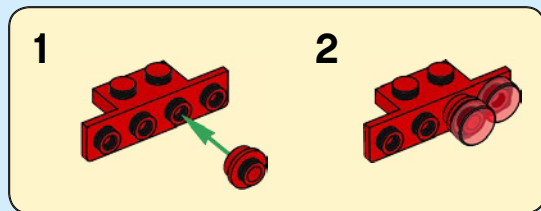
29

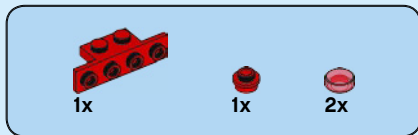


20

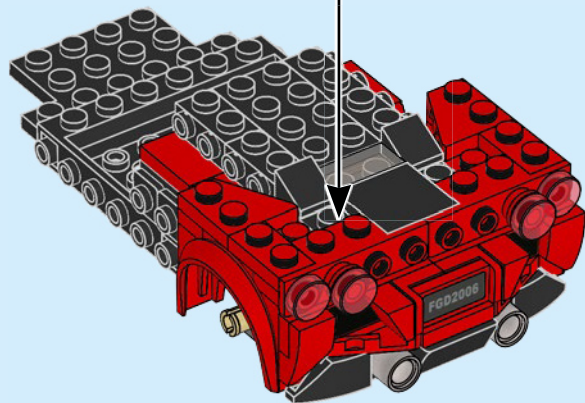
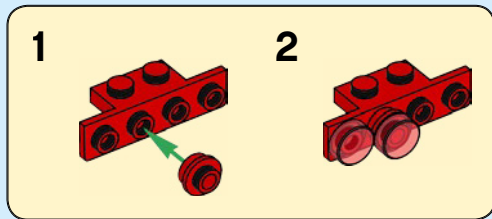


30





31





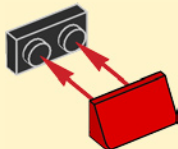
1x



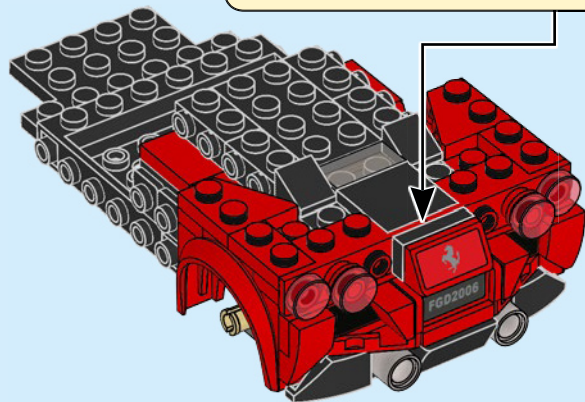
1x

32

1



2



2x

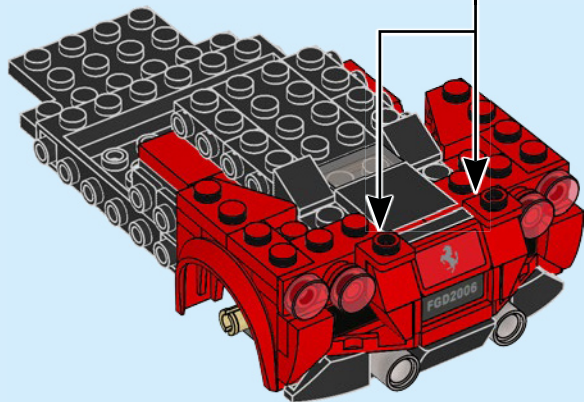


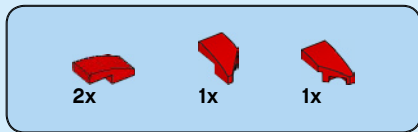
2x

33

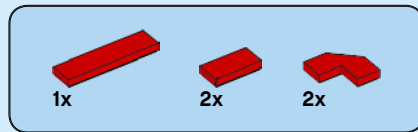
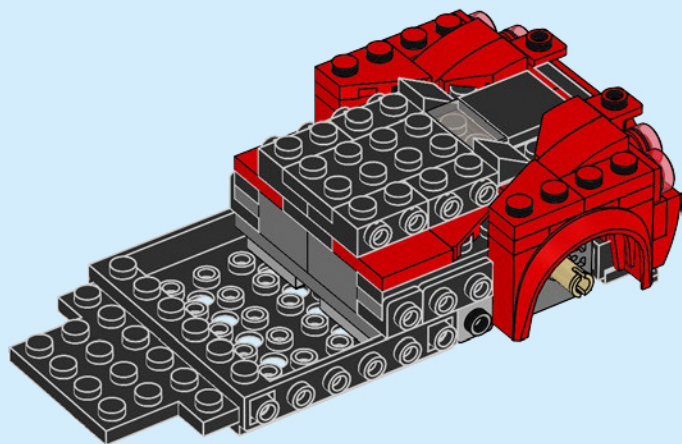


2x

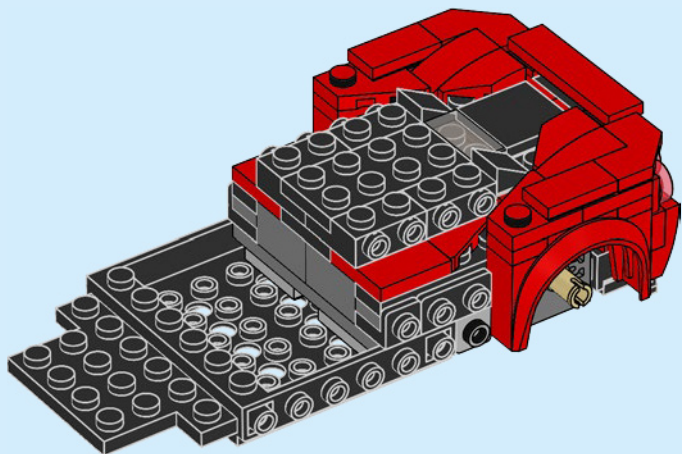




34



35



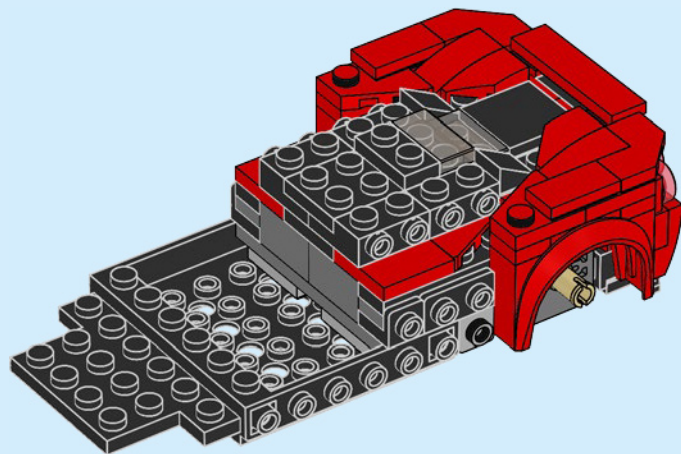


1x



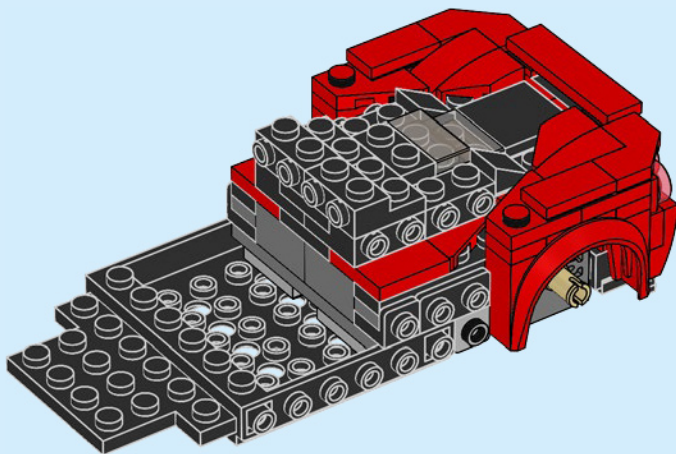
1x

36



2x

37



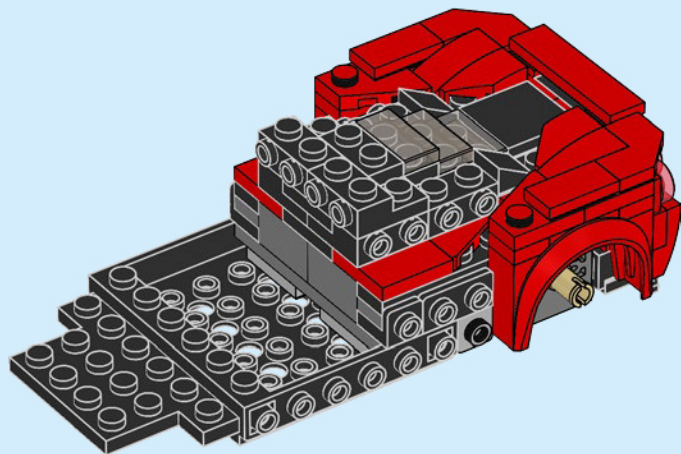


1x



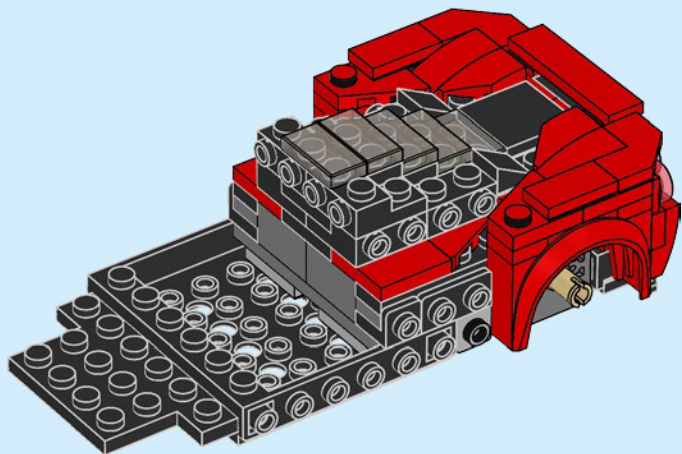
1x

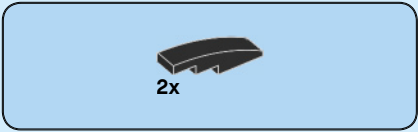
38



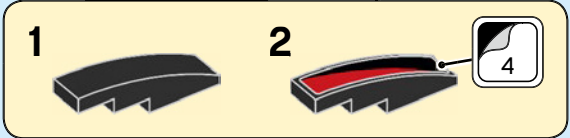
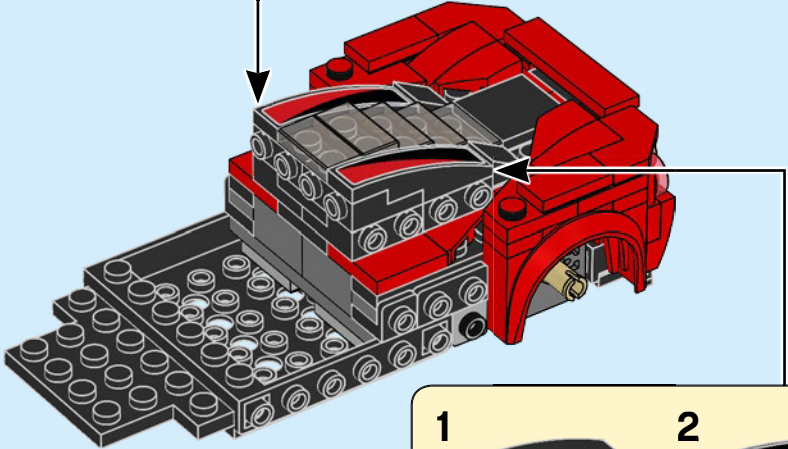
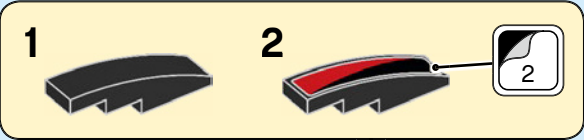
2x

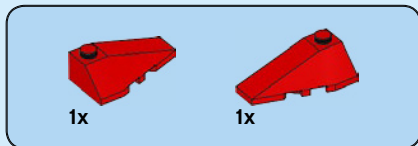
39



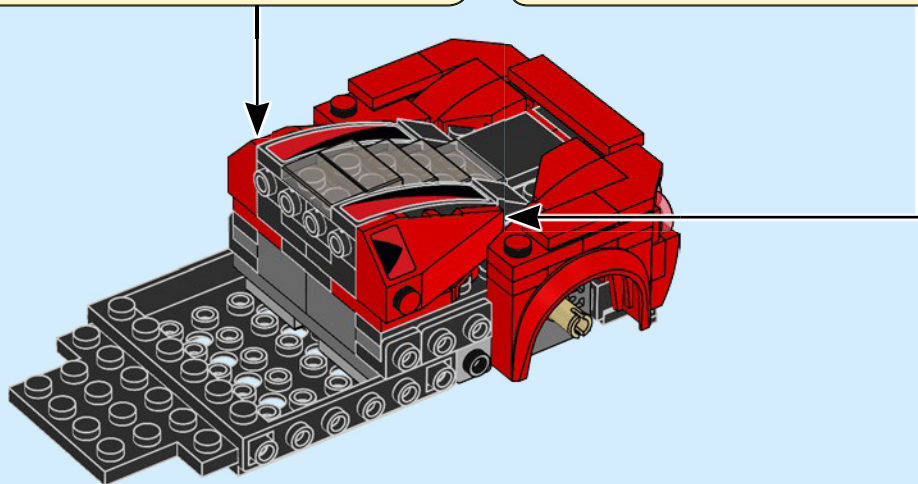
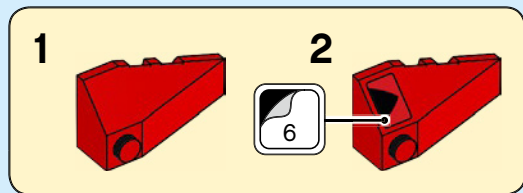
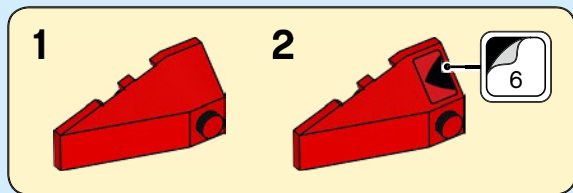


40





41



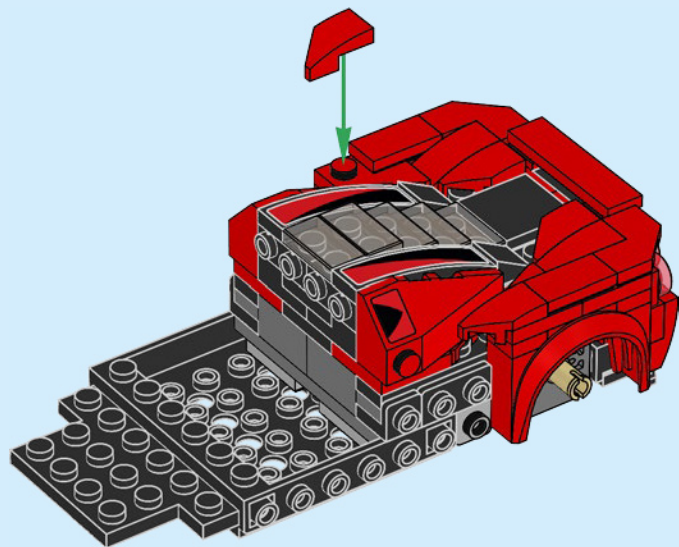


1x



1x

42



1x



1x

43

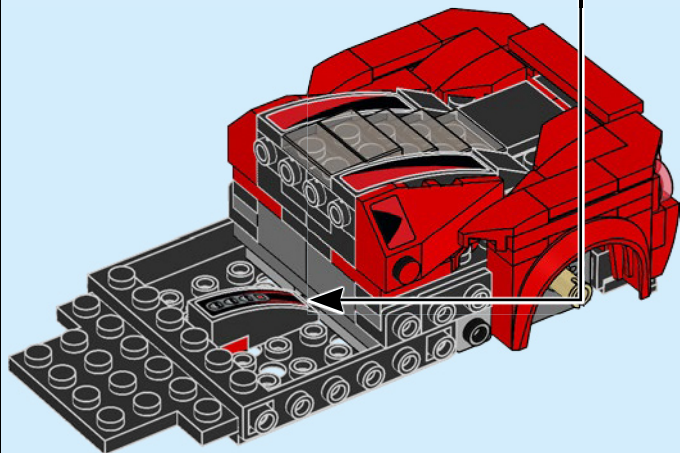
1



2



8





2x

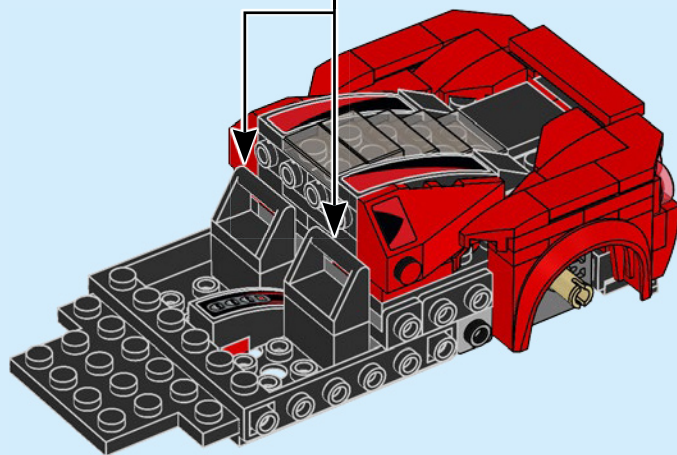


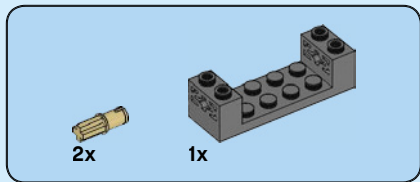
2x

44

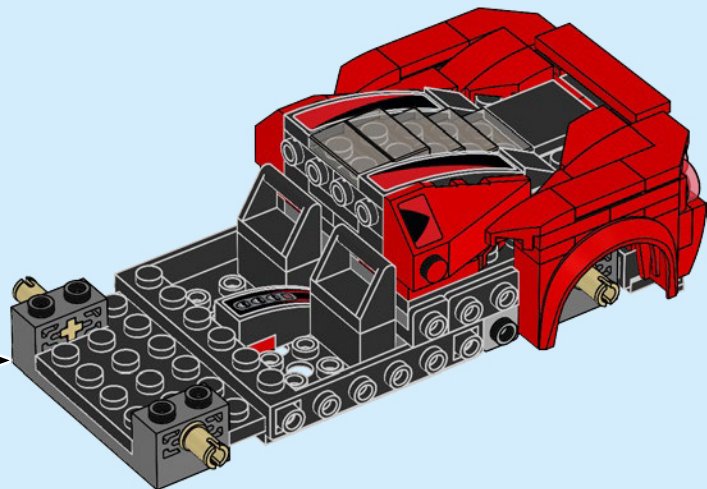
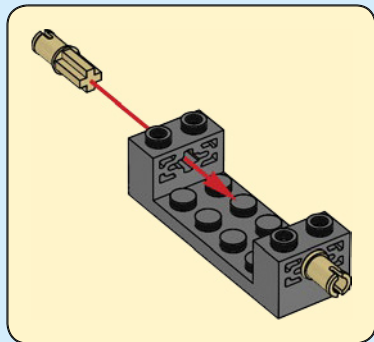


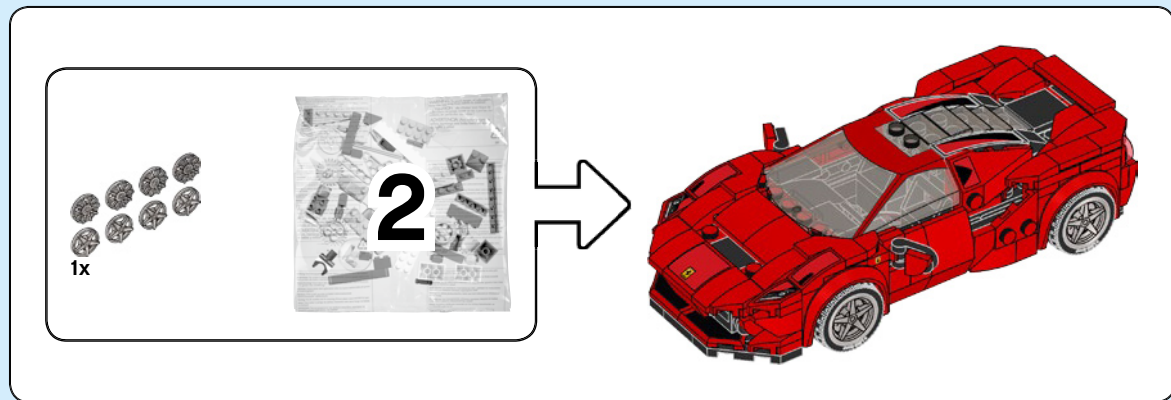
2x





45





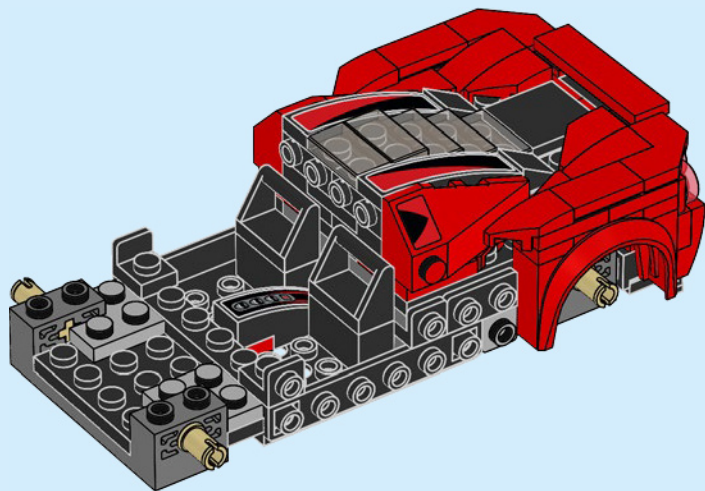


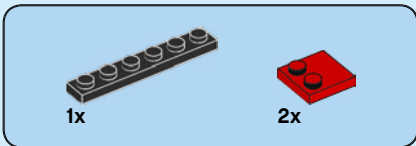
2x



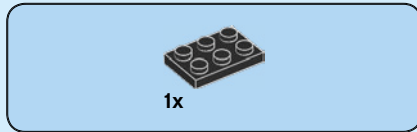
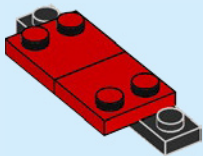
2x

46

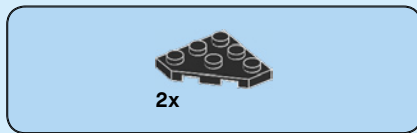
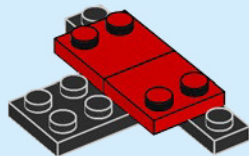




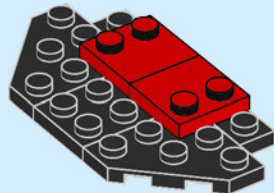
47



48



49



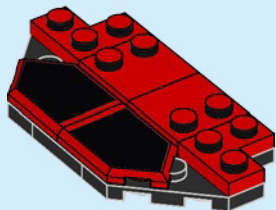


2x



2x

50

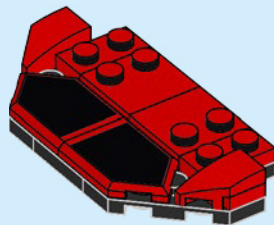


1x



1x

51

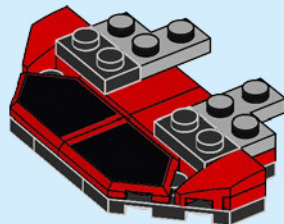


2x

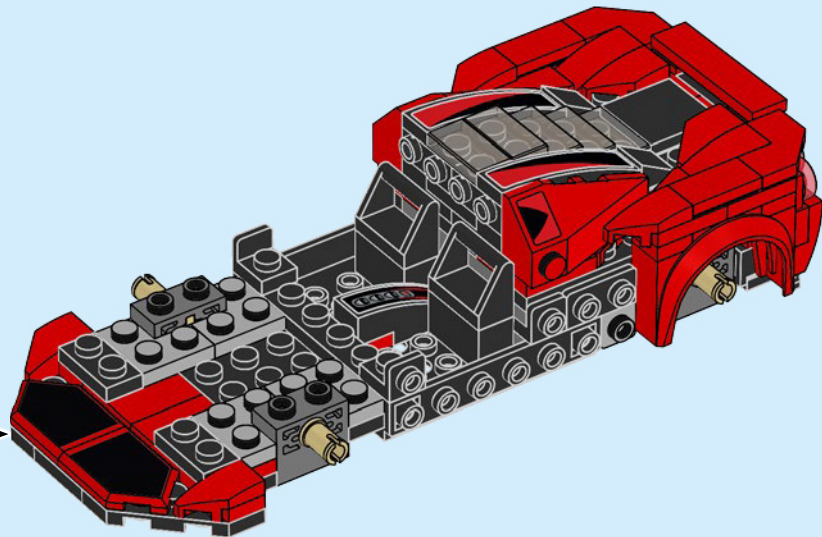


2x

52



53



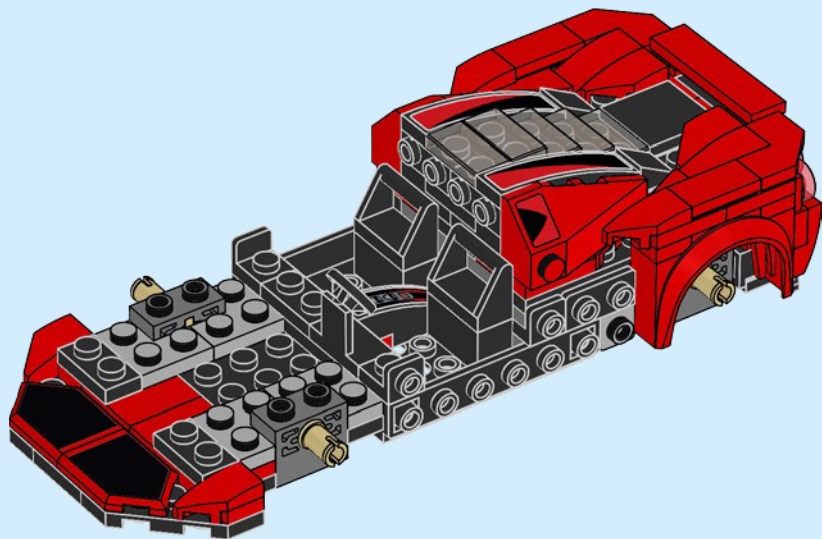


1x



1x

54



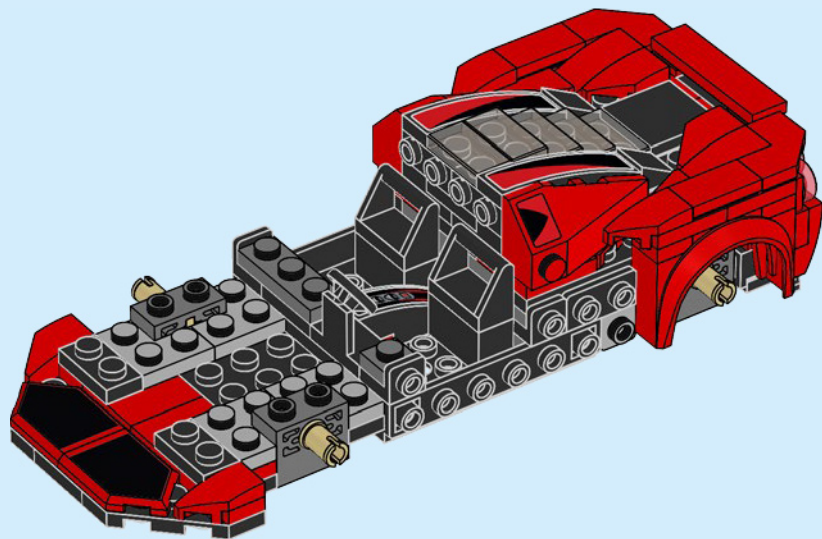


1x



1x

55



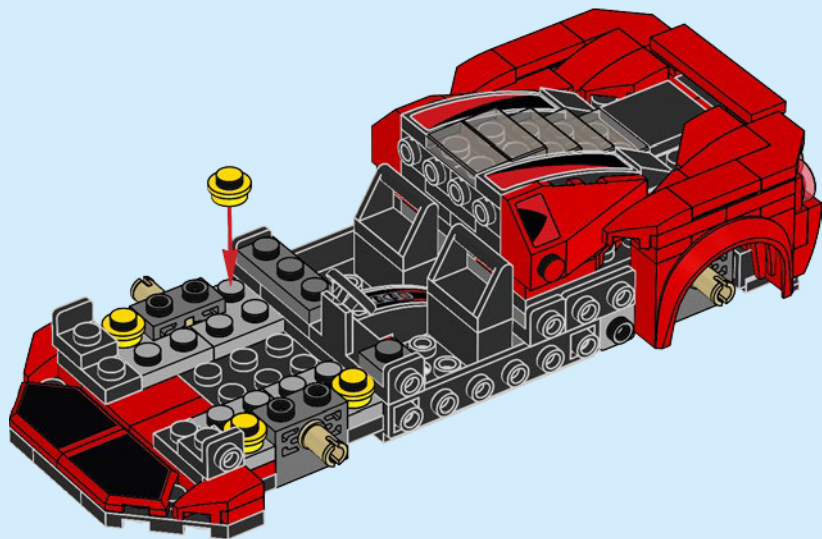


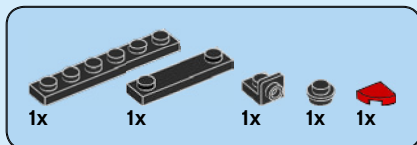
4x



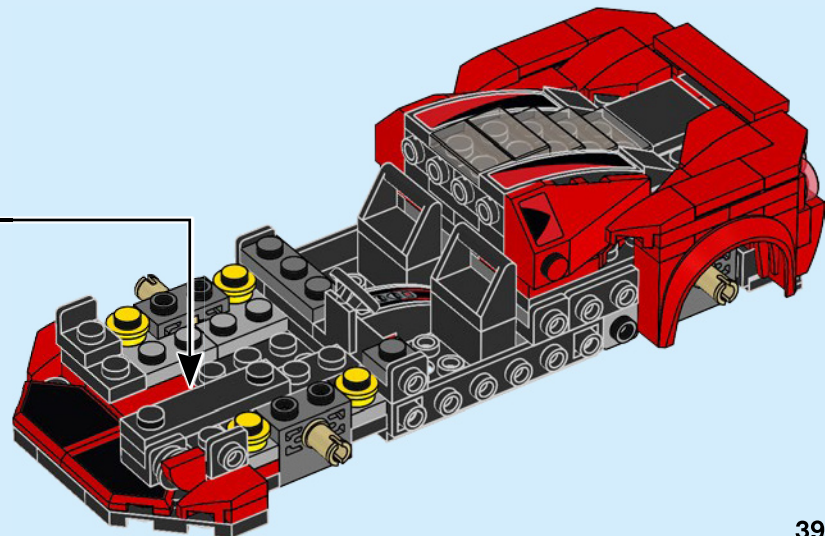
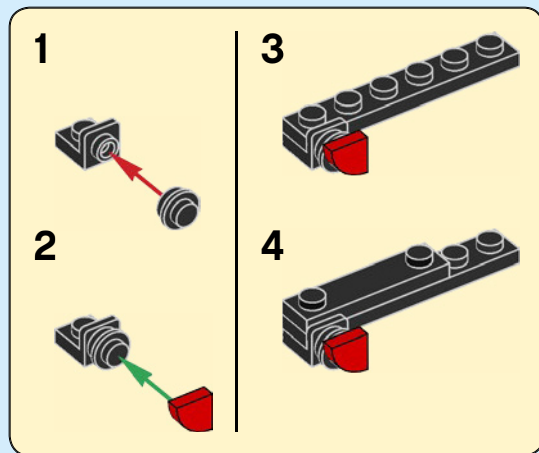
2x

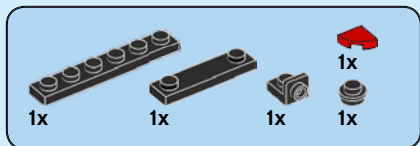
56



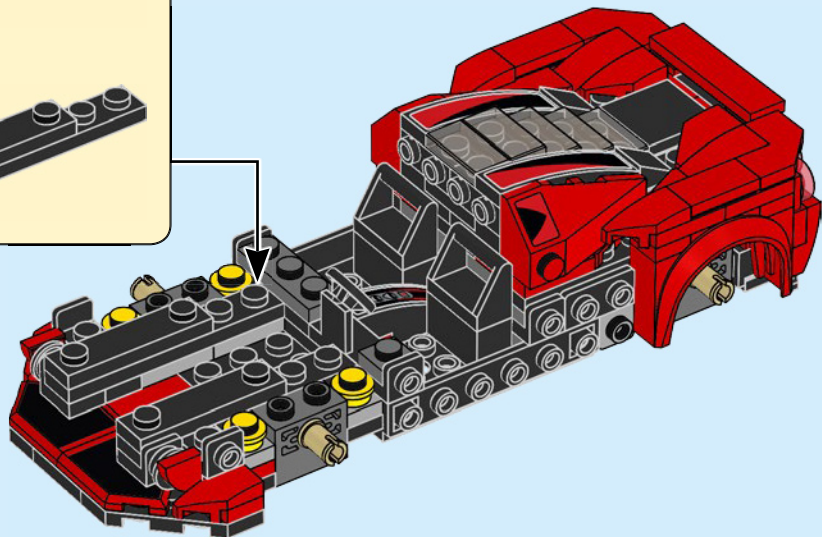
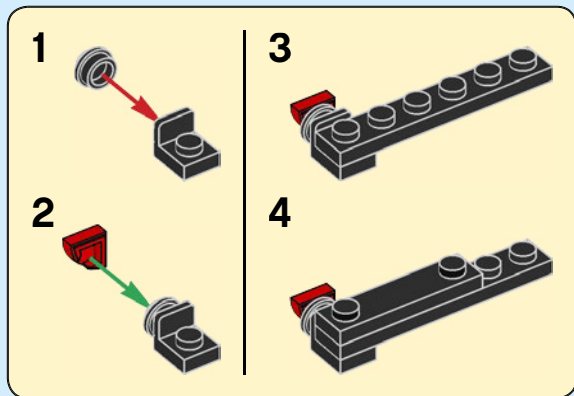


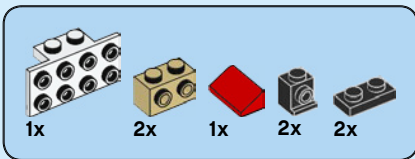
57





58



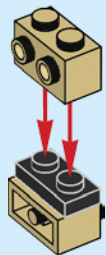


59

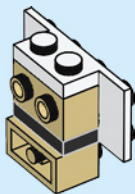
1



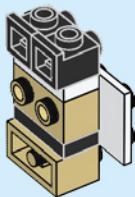
2



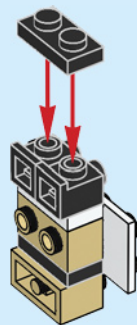
3



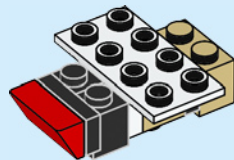
4

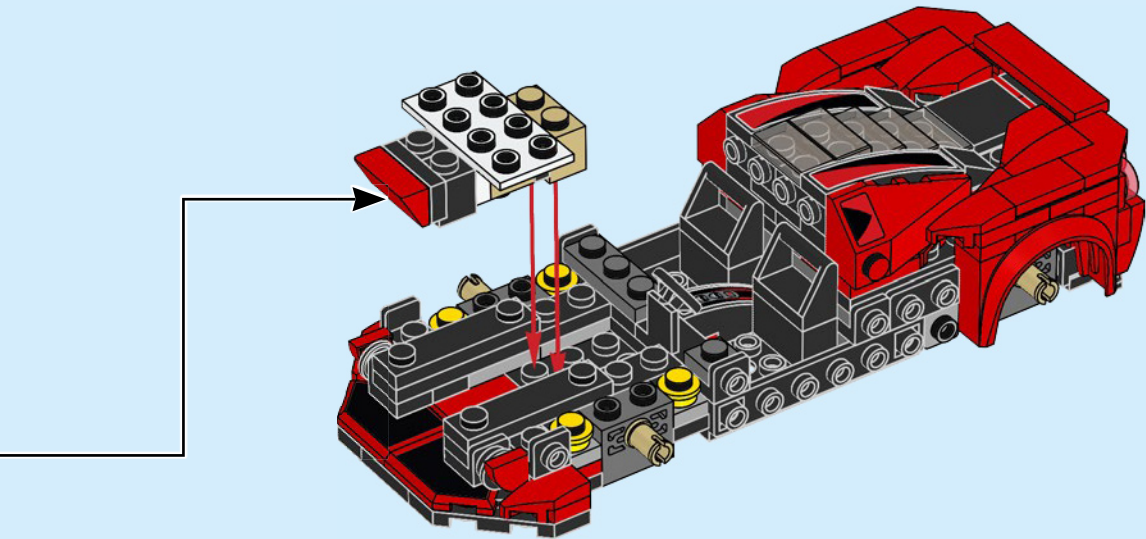


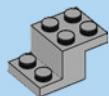
5



6

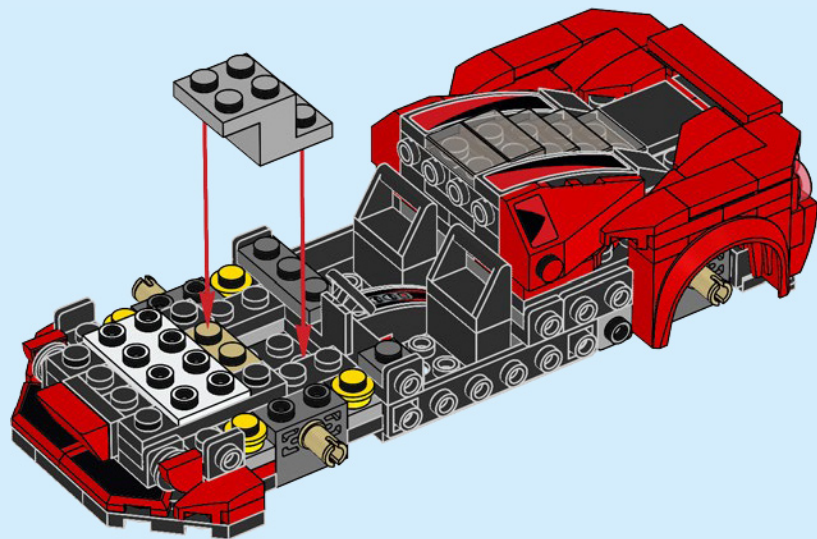






1x

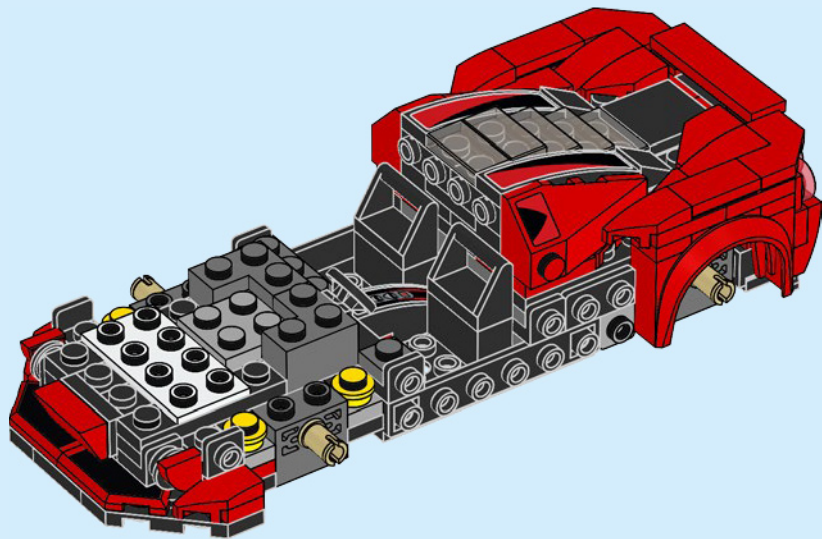
60





2x

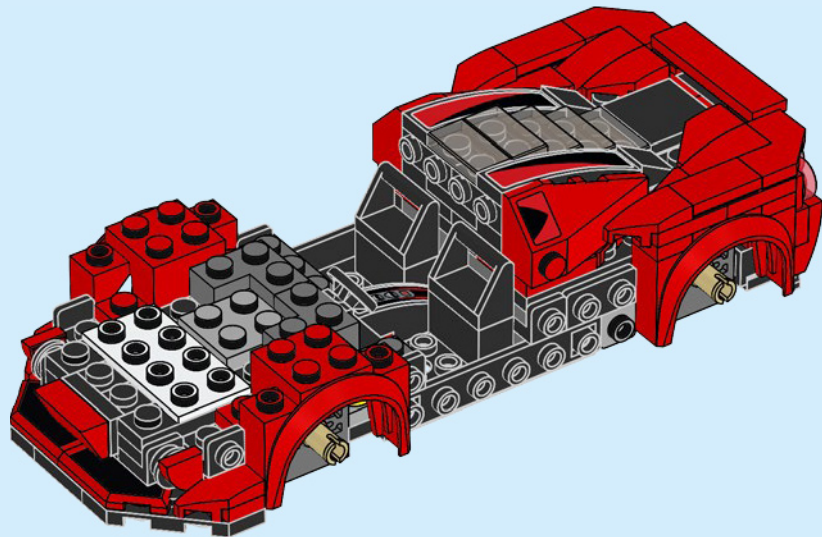
61





2x

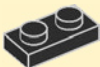
62



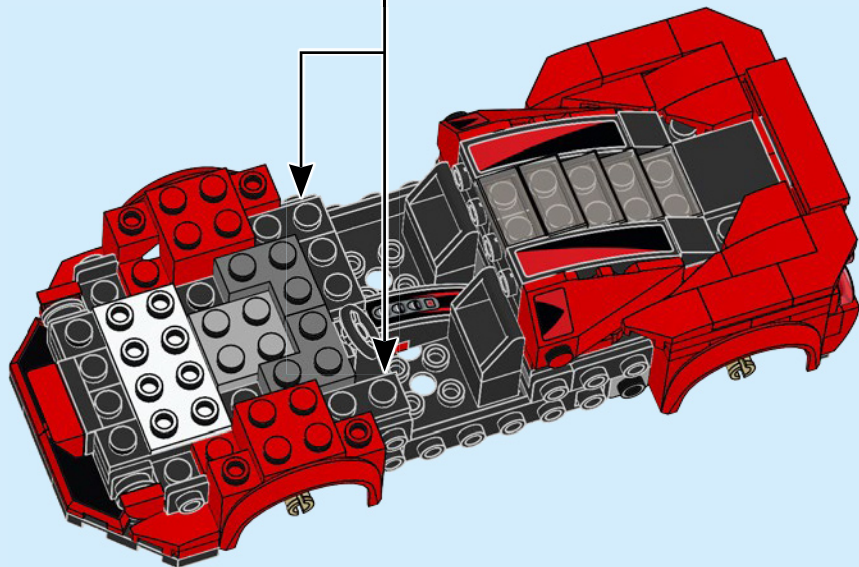


3x

63



3x





2x



2x



2x

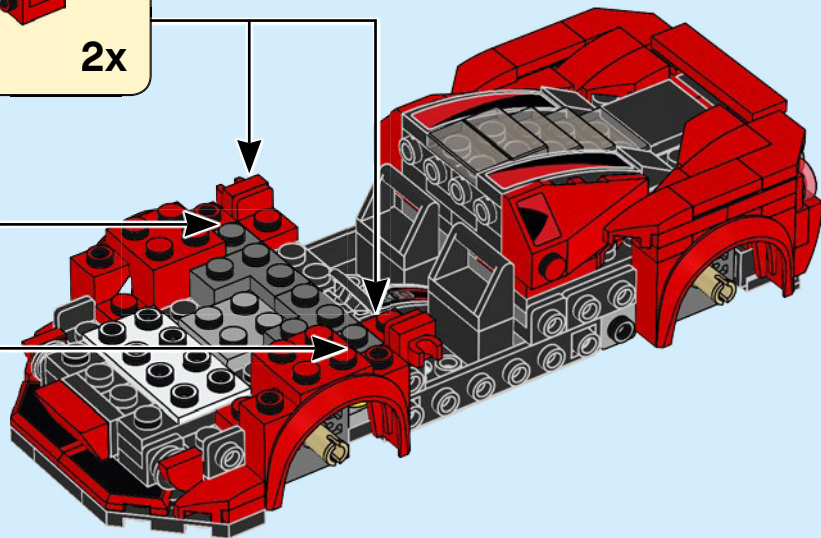
64



2x



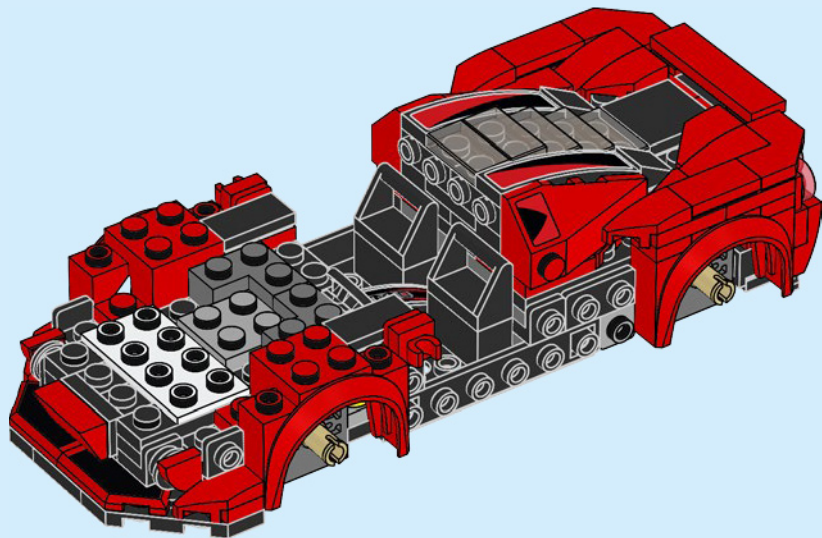
2x





2x

65





2x

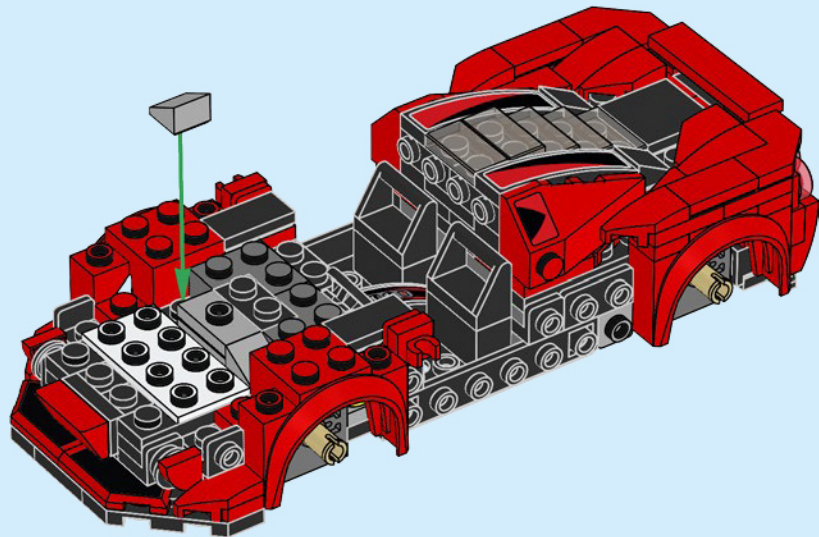


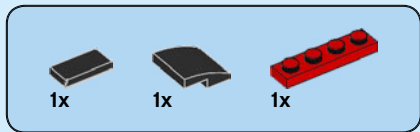
1x



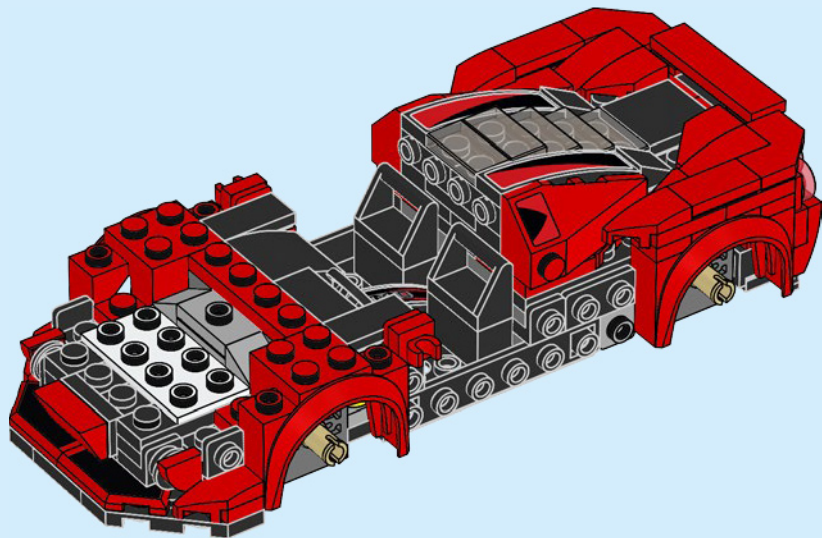
1x

66





67





2x

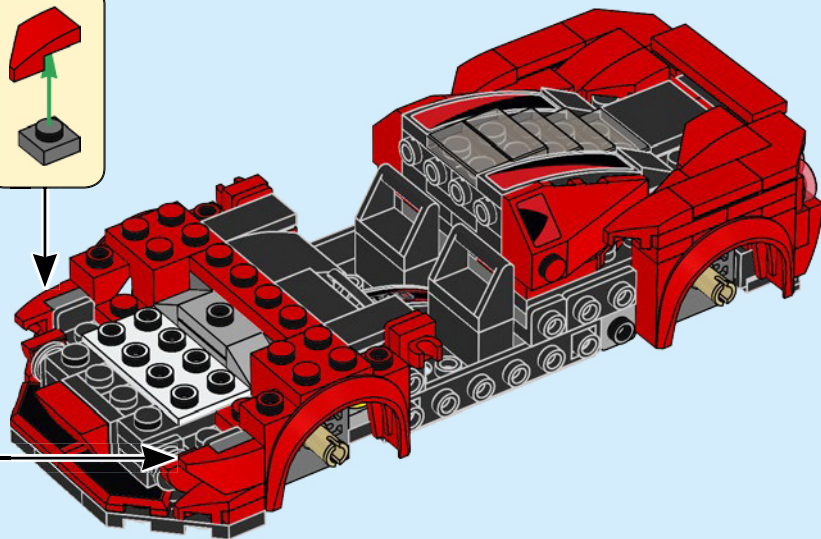
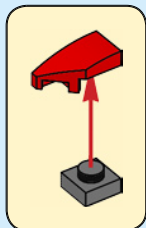
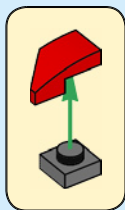


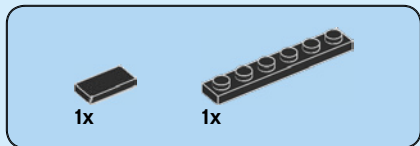
1x



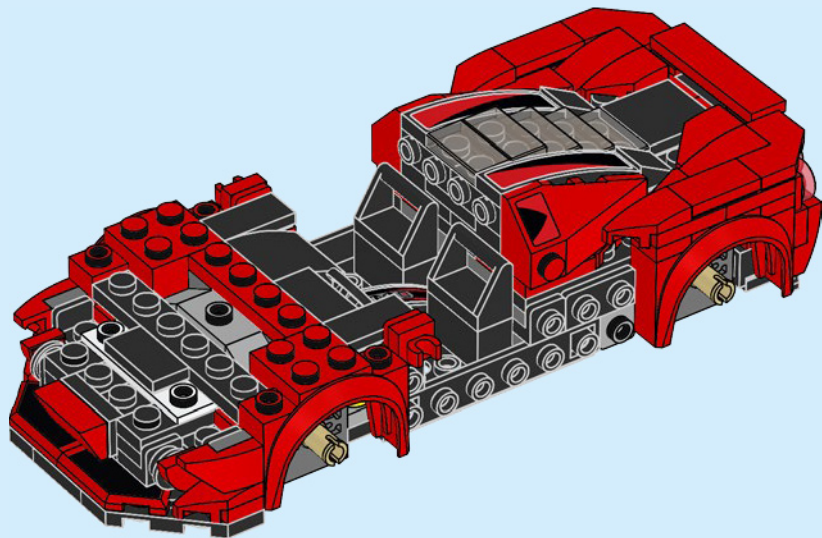
1x

68





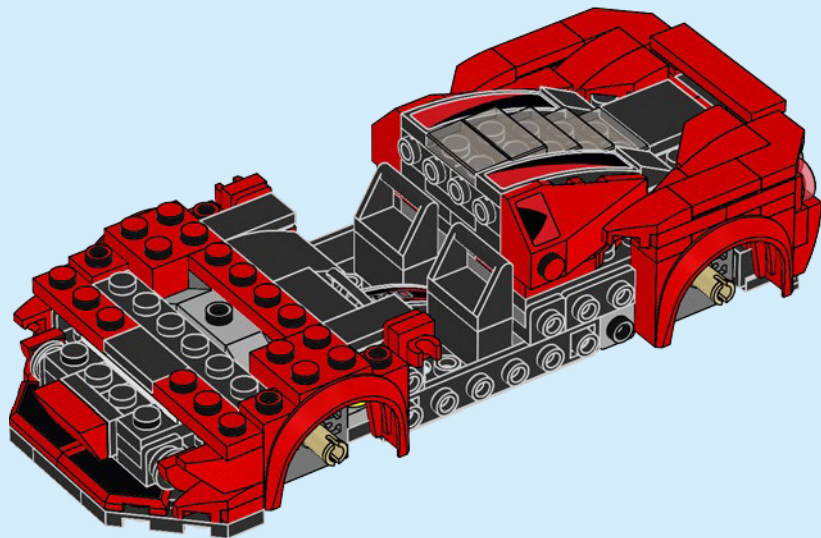
69





2x

70





2x

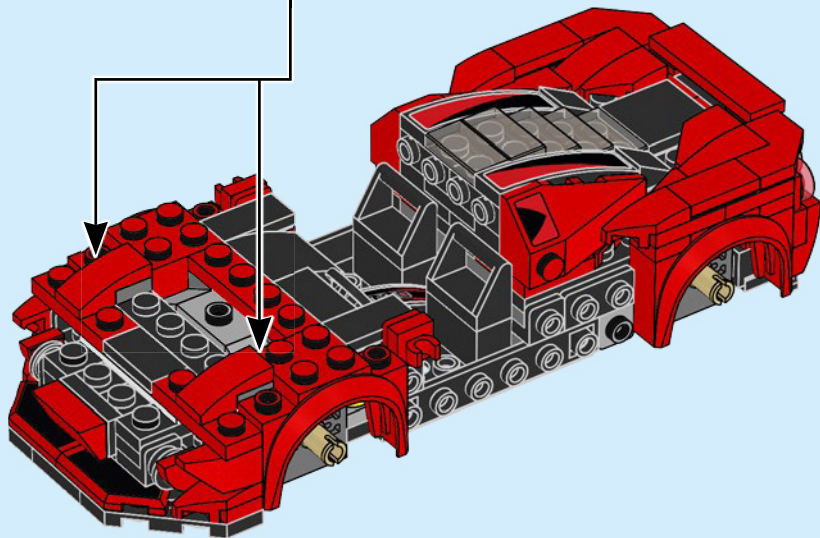


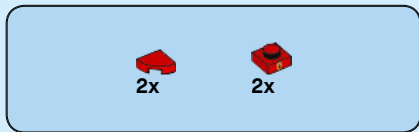
2x



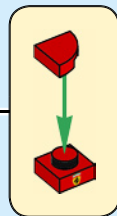
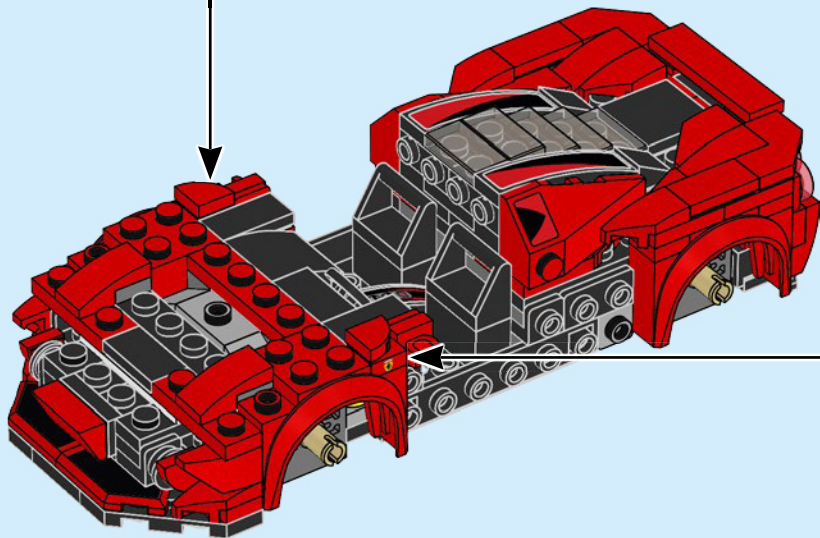
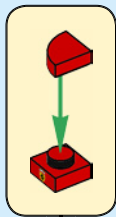
2x

71





72



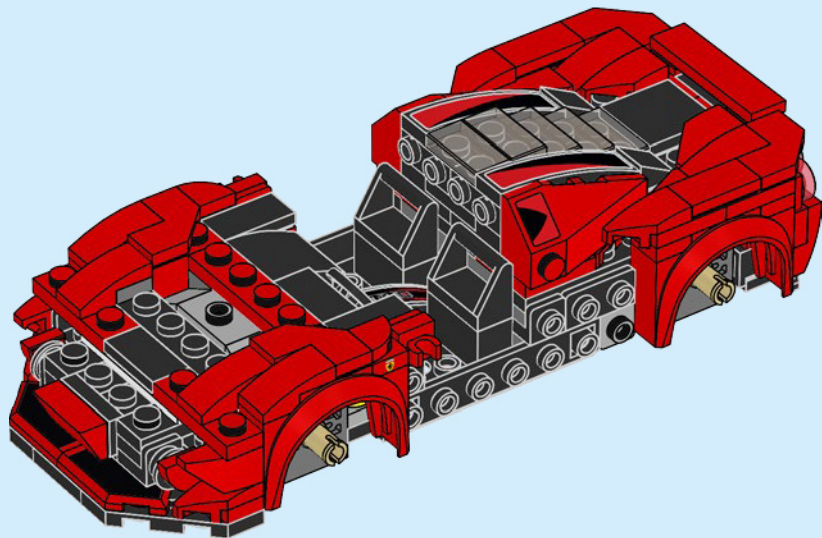


2x



2x

73





1x

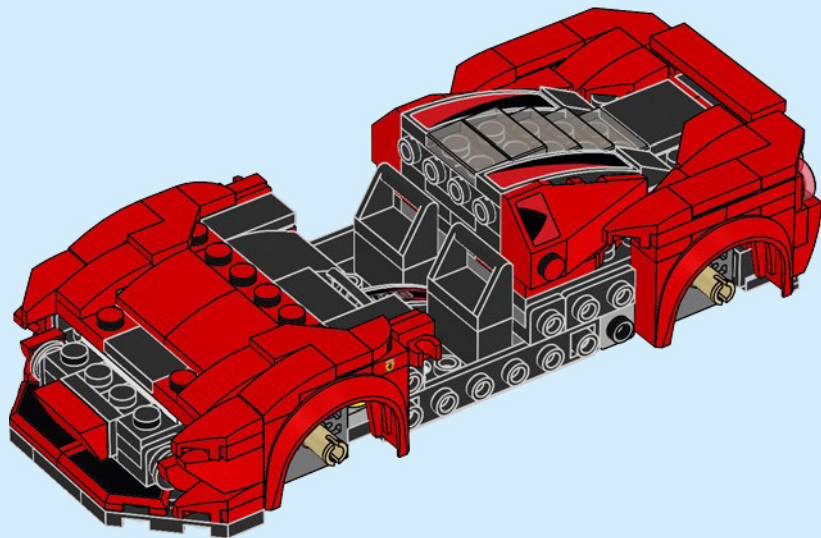


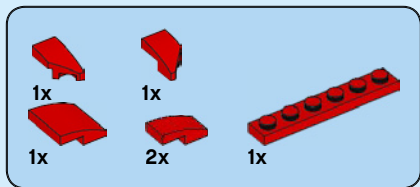
1x



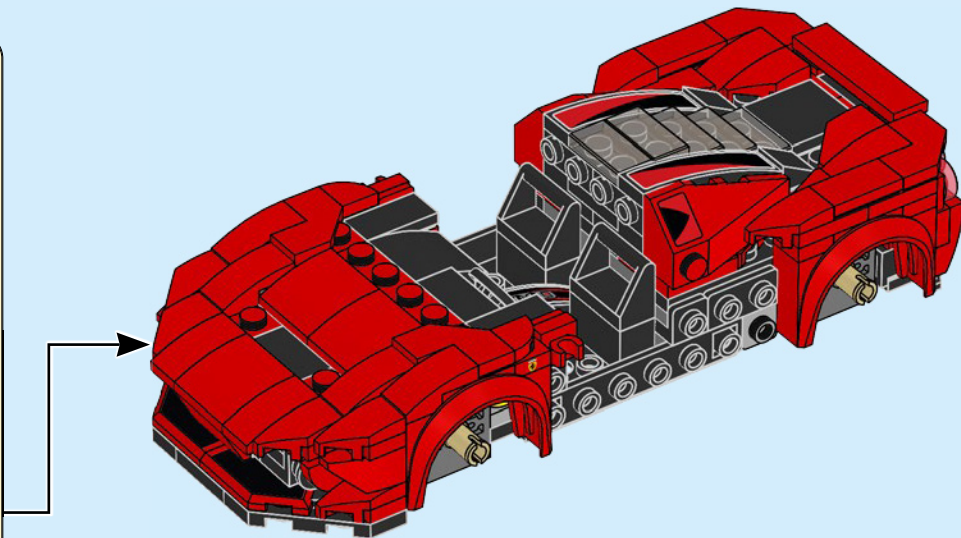
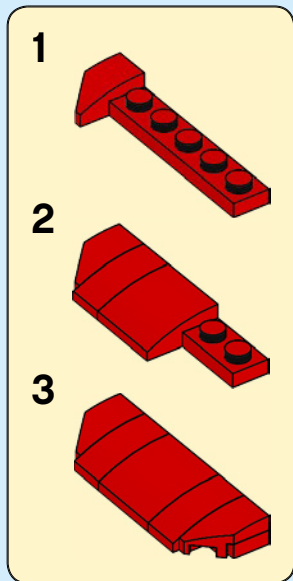
2x

74

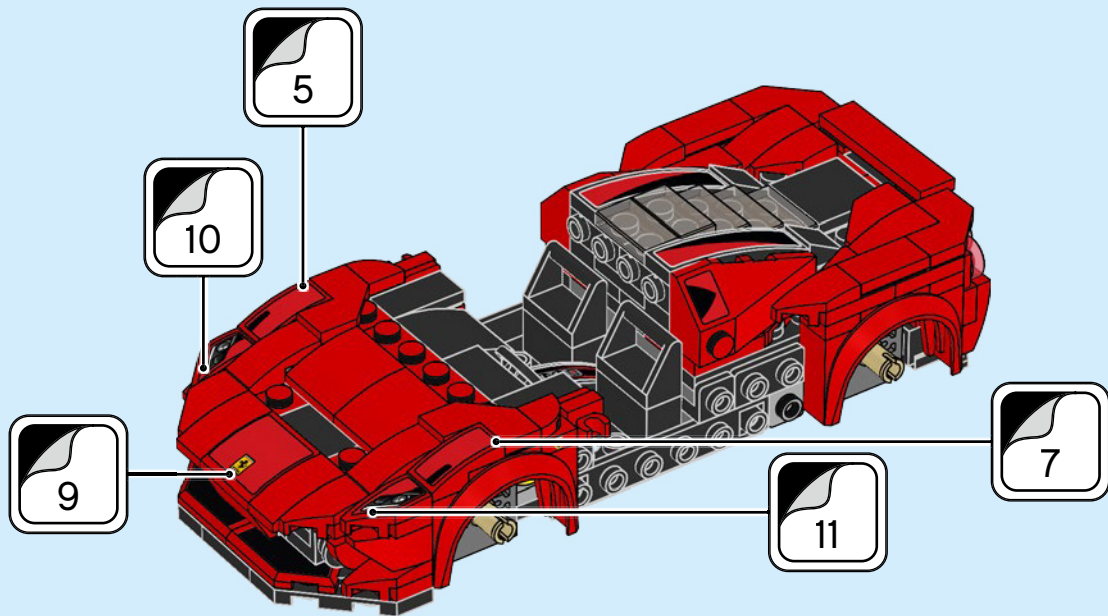


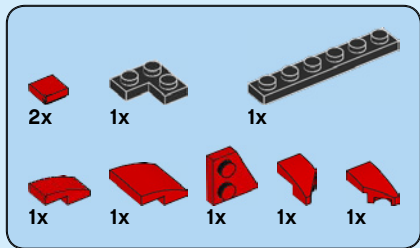


75



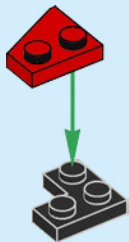
76



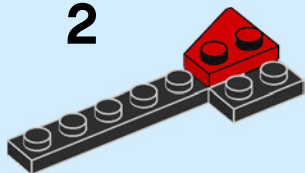


77

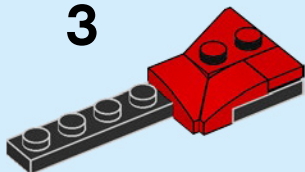
1



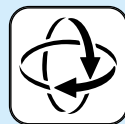
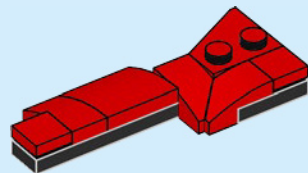
2



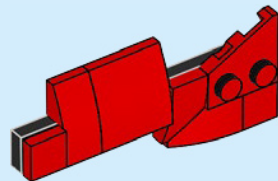
3

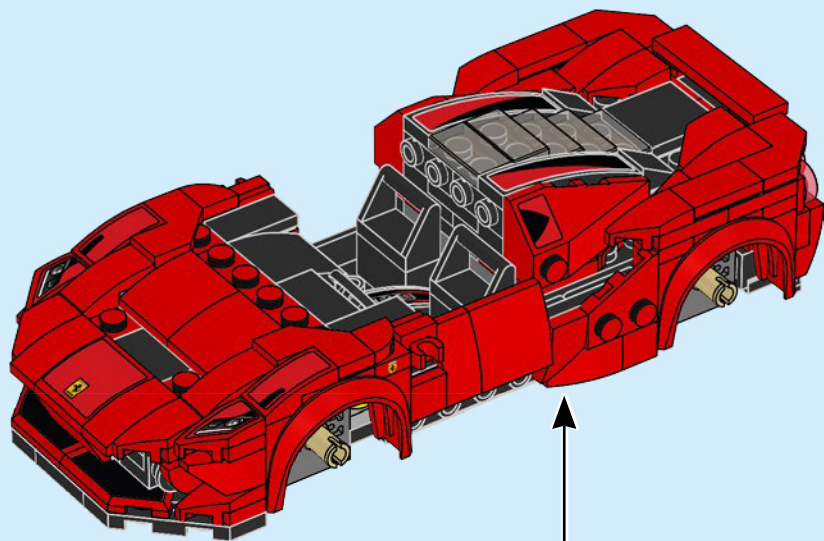


4



5

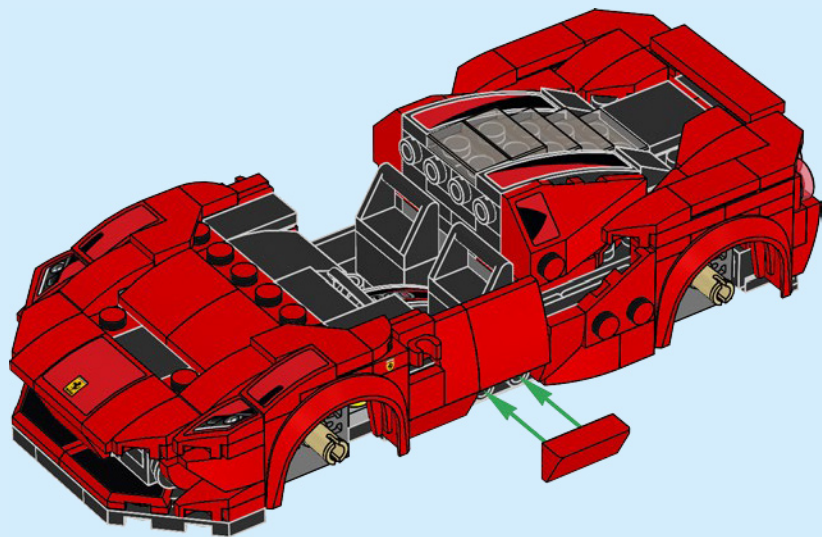


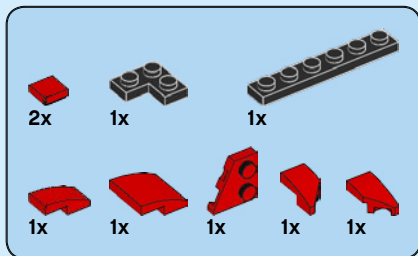




2x

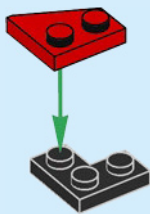
78



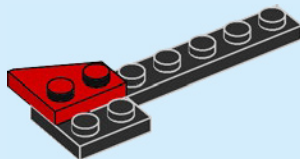


79

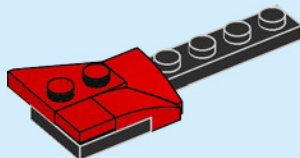
1



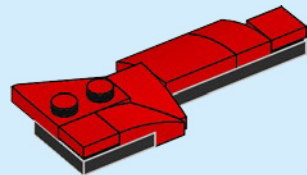
2



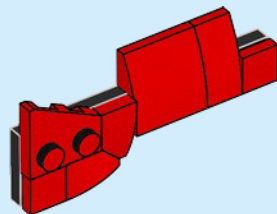
3

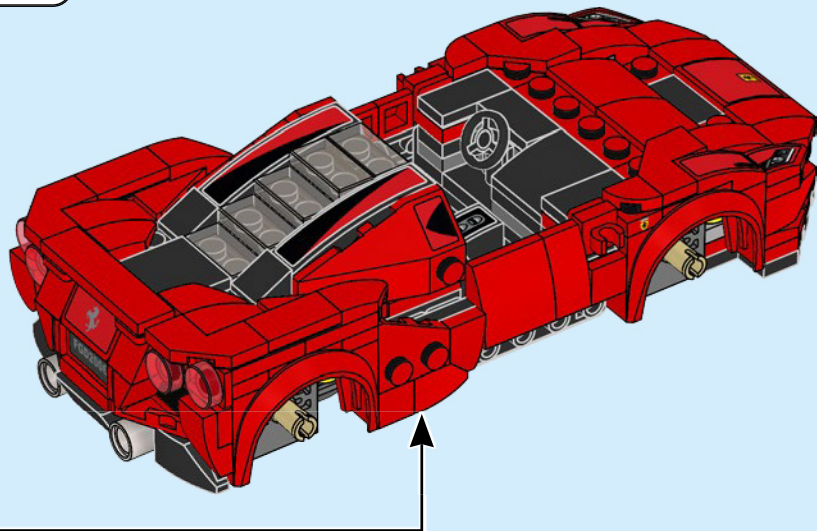
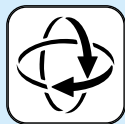


4



5

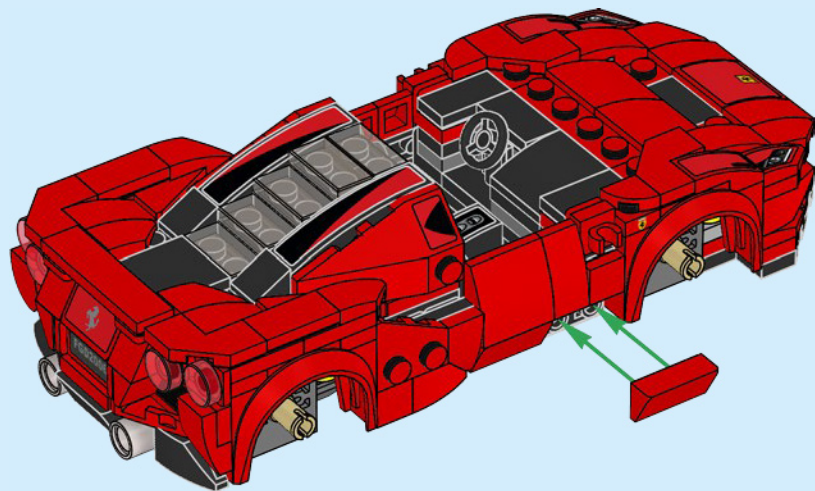






2x

80



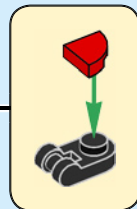
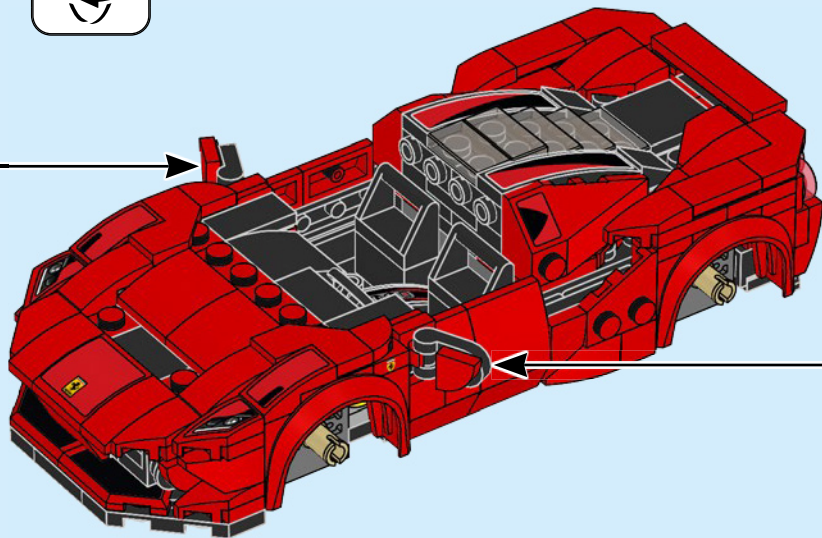
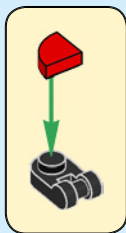


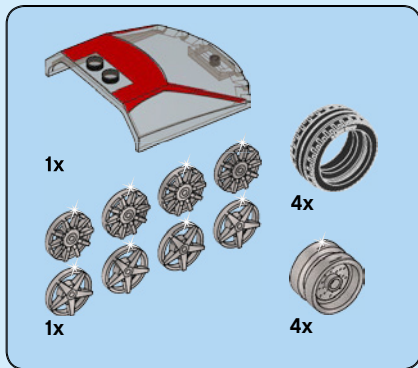
2x



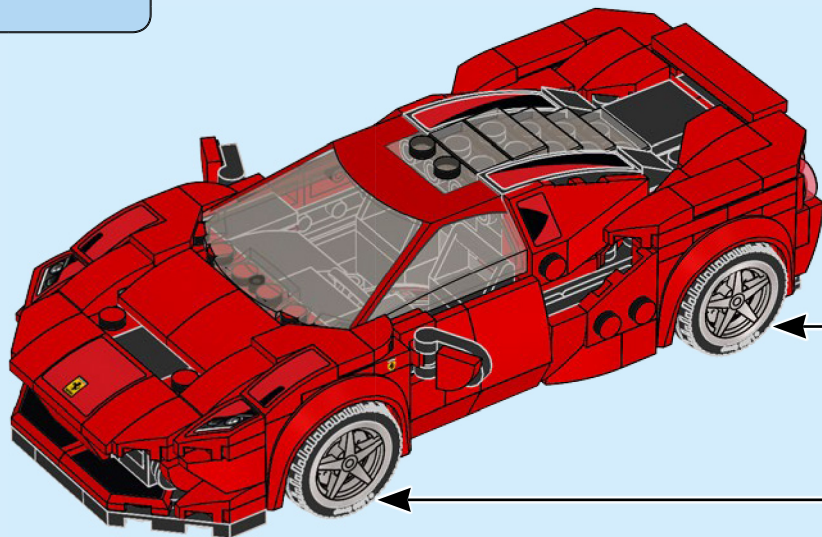
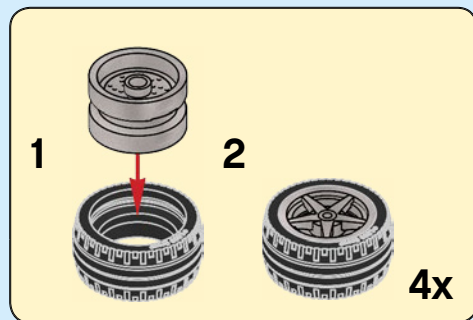
2x

81





82





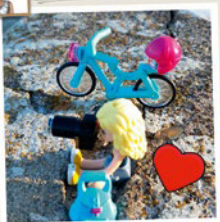
ManagerExcellentCrocodile



KingYummyCheeiah



PrincessBossyRooster



LEGO.com/apps





Produced under license of Ferrari S.p.A. The name FERRARI, the PRANCING HORSE device, all associated logos and distinctive designs are property of Ferrari S.p.A. The body designs of the Ferrari cars are protected as Ferrari S.p.A. property under design, trademark and trade dress regulations.

Nissan Motor Co., Ltd trademarks, designs, copyrights and/or other intellectual property rights are used under license.

The "Lamborghini" and "Lamborghini Bull and Shield" trademarks, copyrights, designs and models are used under license from Automobili Lamborghini S.p.A, Italy.

Manufactured under license from McLaren Automotive limited. The McLaren name and logo are registered trademarks of McLaren. Senna is the registered trademark of Ayrton Senna Empreendimentos Ltda.

Jaguar and the leaper device are trademarks owned and licensed by Jaguar Land Rover Limited.

Microsoft, Forza Horizon, and the Forza Motorsport Logo are trademarks of the Microsoft group of companies.

The MINI logo and the MINI wordmark are trademarks of BMW AG and are used under license. Austin and Morris are the trademarks of MG Motor UK Ltd, licensed by British Motor Heritage Ltd.

Under license of Porsche AG.

Officially Licensed by AUDI AG.

Drive in **FORZA** **HORIZON 4**

*Requires Xbox Forza Horizon 4 game and Forza Horizon 4 LEGO® Speed Champions expansion, both sold separately. Parent must have valid Microsoft Account

 **2x**
614126

 **2x**
4504382

 **1x**
6181720

 **8x**
407026

 **8x**
6234695

 **1x**
4298619

 **1x**
6213798

 **2x**
6157554

 **1x**
6181713

 **1x**
4548180

 **4x**
306926

 **2x**
243226

 **2x**
300426

 **12x**
302326

 **1x**
73081

 **2x**
6020193

 **1x**
306826

 **1x**
6053077

 **2x**
242026

 **8x**
6052126

 **1x**
4251161

 **1x**
400626

 **4x**
6102596

 **1x**
302126

 **2x**
4599499

 **2x**
371026

 **2x**
6037746

 **2x**
4227684

 **3x**
302026

 **7x**
4210719

 **2x**
4211109

 **3x**
4211133


 **2x**
4211085


 **1x**
4294180


 **6x**
366626


 **1x**
663626


 **1x**
6287679


 **2x**
4521921

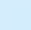
 **2x**
6248078

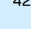
 **3x**
6066097

 **2x**
4654582

 **4x**
4211353

 **3x**
6093054

 **2x**
4211056

 **2x**
6287680

WIN

GO TO WWW.LEGO.COM/PRODUCTFEEDBACK AND
GIVE US YOUR SHORT **FEEDBACK** ABOUT THIS
LEGO® SET FOR A CHANCE TO WIN
A COOL LEGO PRIZE.

Terms & Conditions apply



LEGO.com/productfeedback

GEWINNE

Erzähle uns auf
www.LEGO.com/productfeedback

etwas über die Erfahrungen, die du mit
diesem LEGO® Set gemacht hast, und
sichere dir die Chance auf einen coolen
LEGO Preis!

Es gelten die Teilnahmebedingungen

GAGNE

Rends-toi sur
www.LEGO.com/productfeedback

et donne-nous quelques commentaires sur
ce produit LEGO® pour avoir une chance
de gagner un prix LEGO !

Voir Conditions Générales

GANAN

Visita
www.LEGO.com/productfeedback

y envíanos tu opinión acerca de este set
LEGO®. ¡Participarás en el sorteo de un
premio LEGO!

Términos y Condiciones aplicables

获取奖品

登录
www.LEGO.com/productfeedback

给出关于此乐高®套装的简短反馈，
就有机会获得炫酷乐高奖品

《条款及条件》适用

LEGO and the LEGO logo are trademarks of the LEGO Group. ©2020 The LEGO Group.
Produced under license of Ferrari S.p.A. The name FERRARI, the PRANCING HORSE device, all associated logos and distinctive designs are property
of Ferrari S.p.A. The body designs of the Ferrari cars are protected as Ferrari S.p.A. property under design, trademark and trade dress regulations.

6309071